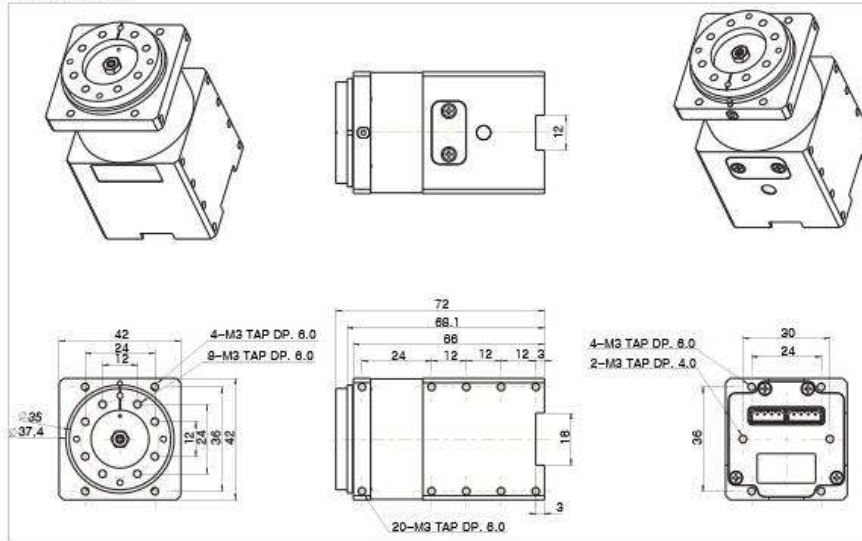


# M42-10-S260-R

close

## Dimension



## Download

## Data

	Unit	Data	
Rated voltage	V	24	
No load speed	RPM	28	
No load current	A	0.52	
Continuous operation	Speed	RPM	27.8
	Torque	N.m	1.5
	Current	A	0.6
Resolution	Step/turn	263168	
Gear ratio	-	257	
Backlash	arcmin	4.2	
Interface	-	RS-485 / CAN(Optional)	
Operating temperature	°C	5~55	

## Performance Graph

